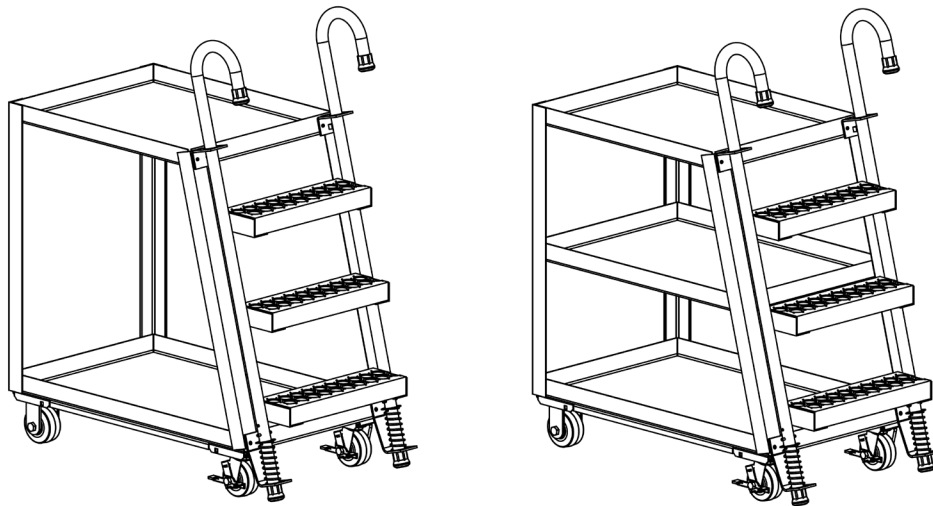




# Vestil Manufacturing Corp.

2999 North Wayne Street, P.O. Box 507, Angola, IN 46703  
 Telephone: (260) 665-7586 -or- Toll Free (800) 348-0868  
 Fax: (260) 665-1339  
 Web: [www.vestilmfg.com](http://www.vestilmfg.com) e-mail: [info@vestil.com](mailto:info@vestil.com)

## SPS3-Series Stock Picker Carts Instruction Manual



### Receiving Instructions

After delivery, remove the packaging from the product. Inspect the product closely to determine whether it sustained damage during transport. If damage is discovered, record a complete description of it on the bill of lading. If the product is undamaged, discard the packaging.

**NOTE:** The end-user is solely responsible for confirming that product design, use, and maintenance comply with laws, regulations, codes, and mandatory standards applied where the product is used.

### Technical Service & Replacement Parts

For answers to questions not addressed in these instructions and to order replacement parts, labels, and accessories, call our Technical Service and Parts Department at (260) 665-7586. The department can also be contacted online at [http://www.vestilmfg.com/parts\\_info.htm](http://www.vestilmfg.com/parts_info.htm).

### Electronic copies of Instruction Manuals

Additional copies of this instruction manual may be downloaded from <https://www.vestil.com/page-manuals.php>.

<b>Table of Contents</b>		<b>Page</b>
Signal Words.....		2
Safety Instructions.....		2
Exploded Views and Bills of Materials.....		3
Specifications.....		4
Record of Satisfactory Condition.....		5
Using the Cart.....		5
Inspections & Maintenance.....		6
Labeling Diagram.....		6
Limited Warranty.....		7

## SIGNAL WORDS

This manual uses SIGNAL WORDS to indicate the likelihood of personal injuries, as well as the probable seriousness of those injuries, if the product is misused in the ways described. Other signal words call attention to uses of the product likely cause property damage. The following are signal words used in this manual and their definitions.

### DANGER

Identifies a hazardous situation which, if not avoided, **WILL** result in **DEATH** or **SERIOUS INJURY**. Use of this signal word is limited to the most extreme situations.

### WARNING

Identifies a hazardous situation which, if not avoided, **COULD** result in **DEATH** or **SERIOUS INJURY**.

### CAUTION

Indicates a hazardous situation which, if not avoided, **COULD** result in **MINOR** or **MODERATE** injury.

### NOTICE

Identifies practices likely to result in product/property damage, such as operation that might damage the product.

## SAFETY INSTRUCTIONS

Vestil strives to identify foreseeable hazards associated with the use of its products. However, no manual can address every conceivable risk. To minimize the likelihood of being injured as a result of using this device, inspect and maintain the product as instructed in *INSPECTIONS & MAINTNENANCE* and exercise sound judgment whenever using this device.

### WARNING

Risks of serious personal injuries or death.

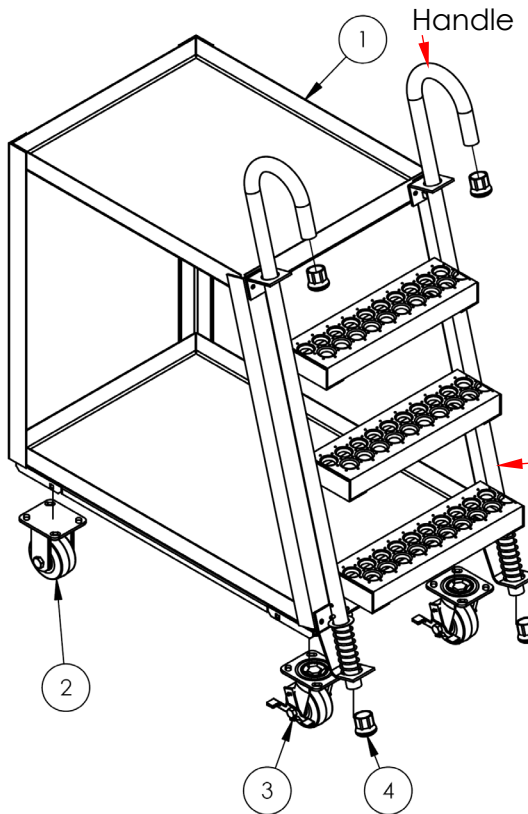
- **Read this manual in its entirety before assembling, using, inspecting or servicing the product.** Read the manual to refresh your understanding of use, inspection, and maintenance procedures as necessary. A copy of this manual should always be available to all persons who assemble, use, inspect and/or maintain this device.
- DO NOT exceed the capacity. Capacity figures are provided on label 446, which is shown in [LABELING DIAGRAM](#) on p. 6.
  - Overall capacity of the cart is 1000 pounds (454.5kg).
  - Each shelf has a capacity of 550 pounds (250kg). Although SPS3-series carts have 3 shelves, no more than 1,000 pounds in total can be applied to them.
  - The capacity of the step assembly is 350 pounds (159kg).
- All items loaded on the cart must fit within the shelves. Loads must not hang over the shelves. Only use the cart to transport stable, evenly distributed, non-hazardous loads.
- Use this cart **ONLY** on even, level surfaces.
- DO NOT climb the steps unless both caster brakes are firmly engaged and all 4 rubber feet are in satisfactory condition. See applicable [EXPLODED VIEW](#) on p. 3.
- DO NOT modify the product in any way **UNLESS** you first obtain written approval from Vestil. Unapproved modifications automatically void the Limited Warranty and might make the product unsafe to use.
- DO NOT use this device **UNLESS** all product labels are readable and undamaged. See [LABELING DIAGRAM](#) on p. 6.
- Inspect the product before each use. Do not use it unless it is in [SATISFACTORY CONDITION](#). See [RECORD OF SATISFACTORY CONDITION](#) and [INSPECTIONS & MAINTENANCE](#) on p. 6.
- Always properly load the cart:
  - If the load might roll or slide off of the deck, strap it to the deck before moving the cart.
  - Evenly distribute loads on the shelves. DO NOT concentrate loads on the sides.
  - Load the bottom shelf first; then load the top shelf. Label 446 in the [LABELING DIAGRAM](#) indicates the capacity per shelf as well as the total capacity of the cart.

### NOTICE

Proper maintenance and storage are essential for this product to function properly.

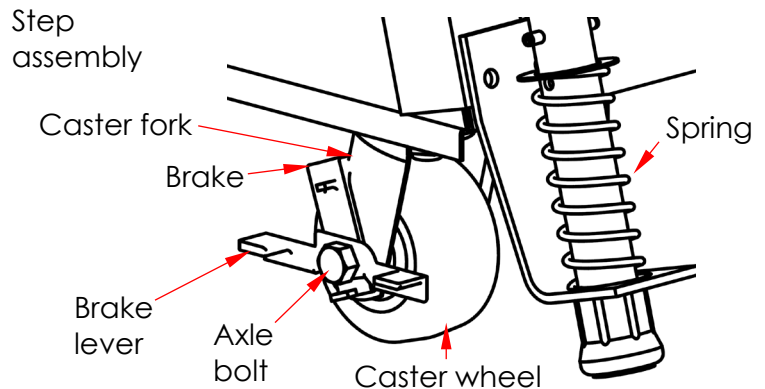
- Apply the [INSPECTION AND MAINTENANCE](#) instructions on p. 6 of this manual.
- Keep the product clean & dry. Always store it inside.

### SPS2 EXPLODED VIEW AND BILL OF MATERIALS (32-006-013)

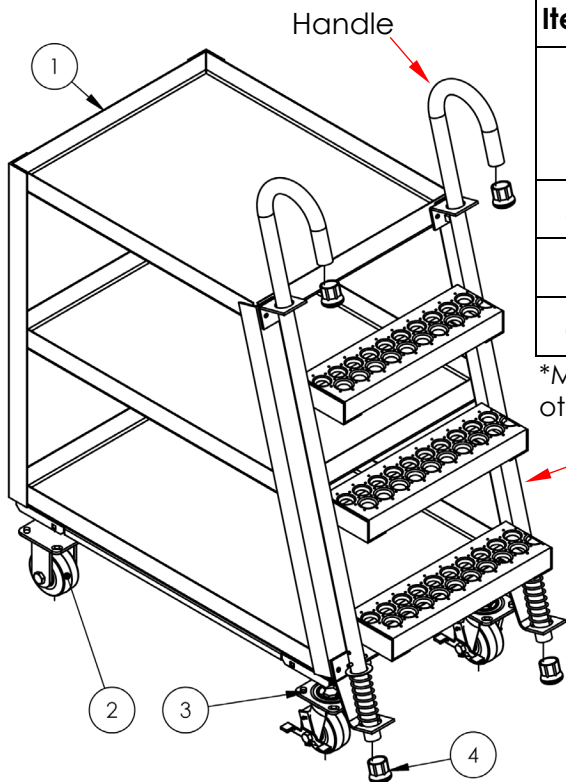


Item	Part number	Description	Qty.
1	32-514-013	WELDMENT, SUB-ASSEMBLY FRAME SPS2-2236	1
	32-514-014	SPS2-2840	1
	32-514-015	SPS2-2848	1
2	*16-132-012	CASTER, MR-4/2-R	2
3	*16-132-054	CASTER, MR-4/2-S-SWB	2
4	14-037-005	RUBBER STOP CRUTCH TIP	4

\*Molded rubber casters are standard. Casters made from other materials are available.

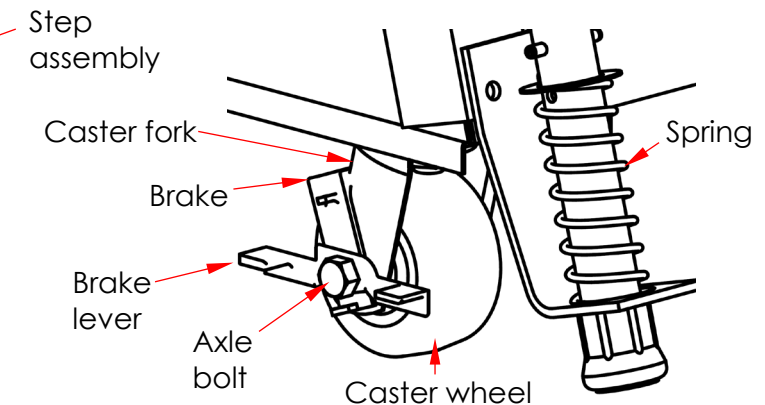


### SPS3 EXPLODED VIEW AND BILL OF MATERIALS (32-006-044)



Item	Part number	Description	Qty.
1	32-514-061	WELDMENT, SUB-ASSEMBLY FRAME SPS2-2236	1
	32-514-014	SPS2-2840	1
	32-514-015	SPS2-2848	1
2	*16-132-012	CASTER, MR-4/2-R	2
3	*16-132-054	CASTER, MR-4/2-S-SWB	2
4	14-037-005	RUBBER STOP CRUTCH TIP	4

\*Molded rubber casters are standard. Casters made from other materials are available.



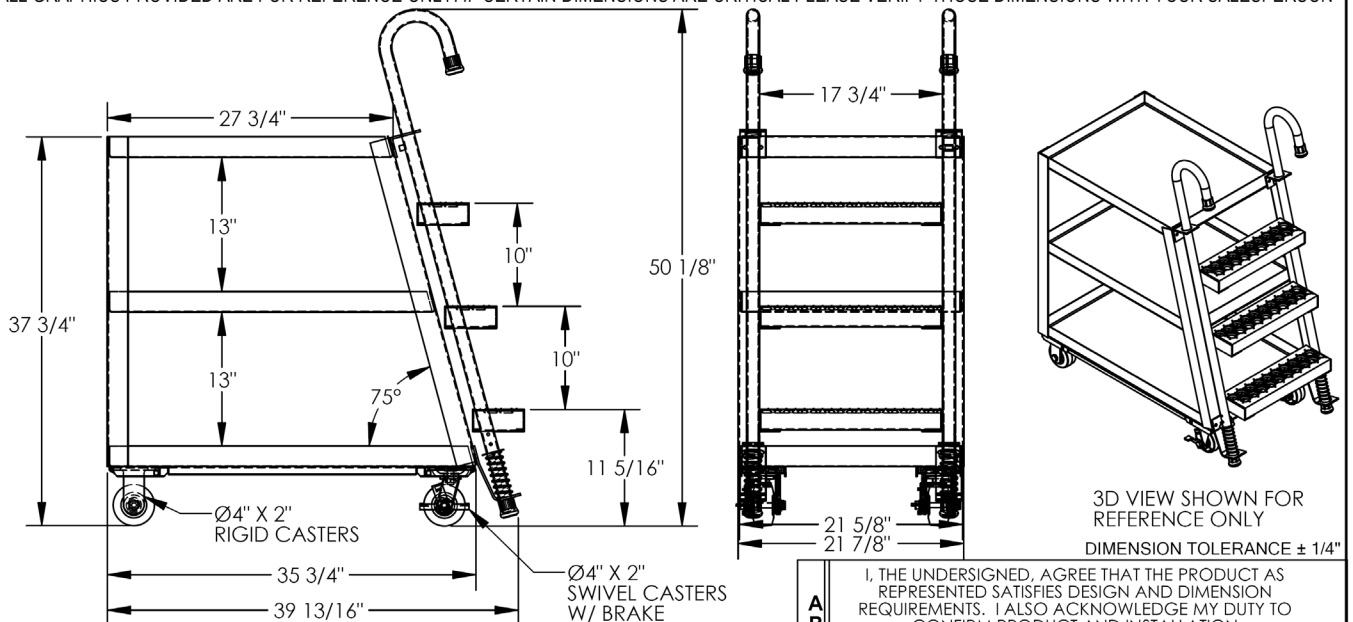
# SPECIFICATIONS

Specifications for SPS2-series and SPS3-series stock picker carts are provided on Vestil's website. To access the appropriate specifications document, navigate to this webpage: <https://www.vestil.com/product.php?FID=923>. Click the "Product Specifications Table" tab. Scroll the page to the table row for the model you purchased and click the button in the PDF column that looks like a pencil inside a box. A PDF document will open. This file is the specifications document. Print a copy of the drawing and keep it with your copy of this manual. The following is an exemplar copy of the specifications document for SPS3-2236 that is current as of the publication date of this manual. If you have any questions about specifications, please contact the [TECHNICAL SERVICE](#) department.

## 3-SHELF STOCKPICKER TRUCK - SPS3-2236

APPROX WEIGHT: 135.20 lbs.  
DOES NOT INCLUDE WEIGHT OF POWER OR PACKAGING!!!

\*\*\* ANY ADDITIONS, DELETIONS, OR OMISSIONS MUST BE CORRECTED ON THIS DRAWING AS THIS DRAWING WILL BE CONSIDERED ALL INCLUSIVE \*\*\*  
ALL GRAPHICS PROVIDED ARE FOR REFERENCE ONLY. IF CERTAIN DIMENSIONS ARE CRITICAL PLEASE VERIFY THOSE DIMENSIONS WITH YOUR SALESPERSON



3D VIEW SHOWN FOR REFERENCE ONLY  
DIMENSION TOLERANCE ± 1/4"

### STANDARD FEATURES

- MODEL NUMBER IS SPS3-2236
- CAPACITY IS 1000 LBS. (550 LBS. PER SHELF)
- OVERALL WIDTH IS 21 7/8"
- OVERALL LENGTH IS 39 13/16"
- OVERALL HEIGHT IS 50 1/8"
- BOTTOM SHELF SIZE IS 21 5/8" X 35 3/4"
- TOP SHELF SIZE IS 17 3/4" X 27 3/4"
- TOP SHELF HEIGHT IS 37 3/4"
- SHELF CLEARANCE IS 13"
- CASTERS ARE 4" X 2" MOLD-ON-RUBBER (2) RIGID, (2) SWIVEL
- STEEL FRAME CONSTRUCTION
- TOUGH BAKED IN POWDER COATED BLUE FINISH
- LADDER CAPACITY IS 350 LBS

### SPECIAL FEATURES

NONE

I, THE UNDERSIGNED, AGREE THAT THE PRODUCT AS REPRESENTED SATISFIES DESIGN AND DIMENSION REQUIREMENTS. I ALSO ACKNOWLEDGE MY DUTY TO CONFIRM PRODUCT AND INSTALLATION COMPLIANCE WITH ALL APPLICABLE FEDERAL, STATE AND LOCAL REGULATIONS AND STANDARDS.

**UNITS REQUIRING APPROVAL DRAWINGS OR MODIFIED ARE NON-RETURNABLE**

[ ] As drawn [ ] As marked

Signed: \_\_\_\_\_ Date: \_\_\_\_\_

Printed Name: \_\_\_\_\_

LEAD TIME WILL START UPON RECEIPT OF SIGNED APPROVAL DRAWING

DISTRIBUTOR'S NAME:		P.O.#
VESTIL MANUFACTURING		X
DRAWN BY: NHD	DATE: 08/25/2017	W.O.#
REFERENCE: X	SCALE: 1:12	X
QUOTED LEAD TIME: X	QUOTE # X	FILE NAME:
		32-007-044

## RECORD OF SATISFACTORY CONDITION (THE “RECORD”)

Record the condition and appearance of each of the frame members (steps and step assembly, shelves, handles), casters and caster receivers, rubber feet, springs, and all fasteners (bolts, nuts, etc.) before putting the cart into service. Apply both caster brakes. Confirm that brakes firmly contact their wheels. Try to push and pull the cart. Describe the effort required to move the cart while the brakes are applied. Step on the bottom step. Describe how the handles react, i.e. slide through the handle brackets until rubber feet contact the floor. Handles should slide freely through the handle brackets. Describe sounds heard as the handles slide. Step off of the bottom step. Describe how the springs recoil and lift the handles. Thoroughly photograph the cart from multiple angles. Include close range photographs of the rubber feet, caster wheels, caster forks, brakes and brake levers, caster mounting hardware, labeling, welds that connect steps to handles, handles and handle brackets. Add the photographs to the record. Collect all photographs and writings in a single file. This file is a record of the cart in satisfactory condition. Compare the results of all inspections to this RECORD to determine whether the cart is in satisfactory condition. Do not use the cart unless it is in satisfactory condition. Purely cosmetic changes, like damaged paint or powdercoat, are not changes from satisfactory condition. However, touchup paint should be applied as soon as damage occurs.

## USING THE CART

### WARNING

Improper use could result in serious personal injuries.

- Do not stand on the top shelf.
- Do not lean or reach beyond the profile of the cart because the cart might tip and fall over.
- Do not exceed the capacity of the cart or of the ladder. The capacity (in pounds) per shelf is 550 lb. (250kg). Overall capacity of the cart is 1000 lb. (454.5kg). **[NOTE:** Although each shelf can support up to 550 pounds and there are 3 shelves, no more than 1,000 pounds in total can be applied to the shelves.] The capacity of the step assembly is 350 lb. (159kg).
- Each cart receives label 446, which provides the capacity of the cart. See [LABELING DIAGRAM](#) on p. 6. The capacity figure provided on label 446 indicates the **net capacity** of the cart, i.e. the combined weight of everything applied to cart. The combined weight must be less than or equal to the capacity of the cart.

Review the [SAFETY INSTRUCTIONS](#) on p. 2 before using the cart. Inspect the cart before each use for damage such as significant wear, deterioration, or rusting/corrosion. Pay particular attention to the condition of the rubber feet! DO NOT use the cart unless all 4 feet are in satisfactory condition. Tighten loose nuts. If a lock nut has been partially or completely unfastened, it must be replaced with a new lock nut. **Make sure there are no children in the area where the ladder is used or stored.**

**ONLY use the cart on even, level, improved surfaces (concrete or asphalt).** Never use the cart on inclined surfaces. Only climb the steps if they are clean and dry.

ALWAYS lock both swiveling casters (located under the bottom step) before climbing the steps. Lock each caster by pressing down on the brake lever. A brake should press firmly against the surface of its caster. The cart will *resist* movement while the brakes are applied. However, the brakes do not *prevent* the cart from moving. If the cart needs to be immobilized, block/chock the wheels or enlist a coworker to hold the cart. No more than 1 person at a time should climb the steps. The capacity of the step assembly is 350 pounds (159kg).

Step onto the bottom step. The handles should slide through the handle brackets and bring the rubber feet on the bottoms of the handles into solid contact with the ground. The rubber feet provide additional resistance the movement while the caster brakes are applied.

Load items onto the shelves of the carts. Items should fit entirely within the shelves without hanging over the sides. Center and evenly distribute items on the shelves. Load the cart from the bottom up, i.e. fill the lowest shelf first; then the intermediate shelf; then the top shelf.

# INSPECTIONS & MAINTENANCE

## NOTICE

Use and store the cart indoors where it will remain dry. Inspect and maintain the cart as instructed to maximize the usable life of the cart. Inspections and all necessary repairs should be performed by qualified persons.

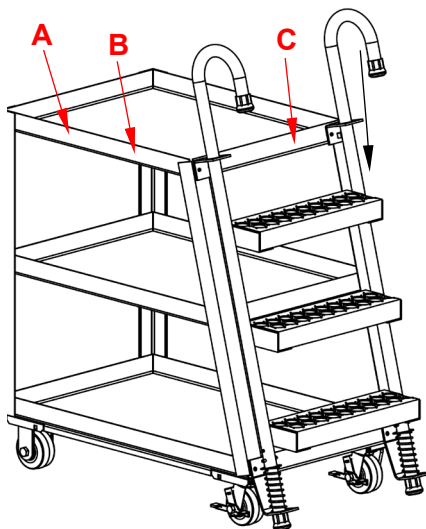
Compare the results of each inspection to the [RECORD OF SATISFACTORY CONDITION](#). Do not use the cart unless every part is in satisfactory condition. If you have any questions about the condition of your cart, contact the [TECHNICAL SERVICE](#) department. The phone number is provided on the cover page of this manual. Never make temporary repairs of damaged or missing parts. Only use manufacturer-approved replacement parts to restore the unit to satisfactory condition.

Inspect the following at least once per month. Maintain the cart by replacing all items that are not in satisfactory condition.

- 1) Frame and shelves – Look for damage and deformation, severe corrosion, etc. Check all welds for cracks. Push the unloaded cart and listen for unusual noises and movement. Clean the shelves and steps. Absorb water and other liquids.
- 2) Step assembly – Confirm that the steps and springs operate normally. All 4 rubber feet must be in place, undamaged, and not significantly worn. The feet have washers inside their cavities to prevent the handles from tearing through the material. Confirm that such tearing has not occurred. The rubber feet applied to the bottom ends of the handles should firmly contact the ground when weight is applied to a step. The step assembly should slide up-and-down easily when weight is applied to it.
- 3) Casters – Examine the wheels, caster forks, axle bolts, brakes, and brake levers. See *EXPLODED VIEWS* on p. 3. Apply the brakes. Confirm that brakes firmly contact their wheels. Try to push and pull the cart.
- 4) Hardware – Check all caster hardware/fasteners and spring pins. Tighten all loose fasteners.
- 5) Labels – Confirm that each label is in place and in good condition. See [LABELING DIAGRAM](#).

## LABELING DIAGRAM

Label content and location are subject to change so your product might not be labeled exactly as shown. Compare the diagram below to your [RECORD OF SATISFACTORY CONDITION](#). If there are any differences between actual labeling and this diagram, contact [TECHNICAL SERVICE](#). Replace all labels that are damaged, missing, or not easily readable (e.g. faded). To order replacement labels or to inquire whether your unit is properly labeled, contact the technical service and parts department online at [http://www.vestilmfg.com/parts\\_info.htm](http://www.vestilmfg.com/parts_info.htm) or by calling (260) 665-7586 and asking for the Parts Department.



**A: Label 446**

MODEL/MODELO/MODELE	SERIAL/SERIE/SÉRIE
CAPACITY PER SHELF/CAPACIDAD DEL ES-TANTE/CAPACITÉ D'ÉTAGERE	TOTAL CAPACITY/TOTAL CAPACIDAD/ TOTALE CAPACITÉ
446	

**B: Label 608**

<p style="text-align: center;"><b>⚠ WARNING</b></p> <p>DO NOT load beyond rated capacity PLACE heavier items on bottom shelf if applicable DISTRIBUTE load evenly. DO NOT sit or ride on cart SECURE stable load before moving</p>	<p style="text-align: center;"><b>⚠ ADVERTENCIA</b></p> <p>No cargue MAS de la capacidad tasada Ponga los objetos mas pesados en la estanteria de abajo DISTRIBUYA LA CARGA A NIVEL. NO SE SIENTE o vaya en el carro ASEGURE la carga antes de mover</p>
608 <small>rev 0911</small>	

**C: Label 212**

<p style="text-align: center;"><b>⚠ WARNING</b></p> <p>Immobilize by applying all caster brakes and/or floor locks when in use, loading, and unloading.</p>	<p style="text-align: center;"><b>⚠ ADVERTENCIA</b></p> <p>Inmovilice aplicando todos los frenos de las ruedas y / o bloqueos del piso cuando esté en uso, cargando y descargando.</p>	<p style="text-align: center;"><b>⚠ AVERTISSEMENT</b></p> <p>Immobiliser en appliquant tous les freins des roulettes et / ou les verrous de plancher lors de l'utilisation, du chargement et du déchargement.</p>
212 <small>Rev 0920</small>		



## LIMITED WARRANTY

Vestil Manufacturing Corporation ("Vestil") warrants this product to be free of defects in material and workmanship during the warranty period. Our warranty obligation is to provide a replacement for a defective, original part covered by the warranty after we receive a proper request from the Warrantee (you) for warranty service.

### Who may request service?

Only a warrantee may request service. You are a warrantee if you purchased the product from Vestil or from an authorized distributor AND Vestil has been fully paid.

### Definition of "original part"?

An original part is a part used to make the product as shipped to the Warrantee.

### What is a "proper request"?

A request for warranty service is proper if Vestil receives: 1) a photocopy of the Customer Invoice that displays the shipping date; AND 2) a written request for warranty service including your name and phone number. Send requests by one of the following methods:

<u>US Mail</u>	<u>Fax</u>	<u>Email</u>
Vestil Manufacturing Corporation 2999 North Wayne Street, PO Box 507 Angola, IN 46703	(260) 665-1339 <u>Phone</u> (260) 665-7586	<a href="mailto:info@vestil.com">info@vestil.com</a> Enter "Warranty service request" in the subject field.

In the written request, list the parts believed to be defective and include the address where replacements should be delivered. After Vestil receives your request for warranty service, an authorized representative will contact you to determine whether your claim is covered by the warranty. Before providing warranty service, Vestil will require you to send the entire product, or just the defective part (or parts), to its facility in Angola, IN.

### What is covered under the warranty?

The warranty covers defects in the following original, dynamic parts: motors, hydraulic pumps, motor controllers, and cylinders. It also covers defects in original parts that wear under normal usage conditions ("wearing parts"), such as bearings, hoses, wheels, seals, brushes, and batteries.

### How long is the warranty period?

The warranty period for original dynamic components is 90 days. For wearing parts, the warranty period is 90 days. Both warranty periods begin on the date Vestil ships the product to the Warrantee. If the product was purchased from an authorized distributor, the periods begin when the distributor ships the product. Vestil may, at its sole discretion, extend a warranty period for products shipped from authorized distributors by up to 30 days to account for shipping time.

### If a defective part is covered by the warranty, what will Vestil do to correct the problem?

Vestil will provide an appropriate replacement for any covered part. An authorized representative of Vestil will contact you to discuss your claim.

### What is not covered by the warranty?

The Warrantee (you) is responsible for paying labor costs and freight costs to return the product to Vestil for warranty service.

### Events that automatically void this Limited Warranty.

- Misuse;
- Negligent assembly, installation, operation or repair;
- Installation/use in corrosive environments;
- Inadequate or improper maintenance;
- Damage sustained during shipping;
- Collisions or other accidents that damage the product;
- Unauthorized modifications: Do not modify the product IN ANY WAY without first receiving written authorization from Vestil.

### Do any other warranties apply to the product?

Vestil Manufacturing Corp. makes no other express warranties. All implied warranties are disclaimed to the extent allowed by law. Any implied warranty not disclaimed is limited in scope to the terms of this Limited Warranty. Vestil makes no warranty or representation that this product complies with any state or local design, performance, or safety code or standard. Noncompliance with any such code or standard is not a defect in material or workmanship.